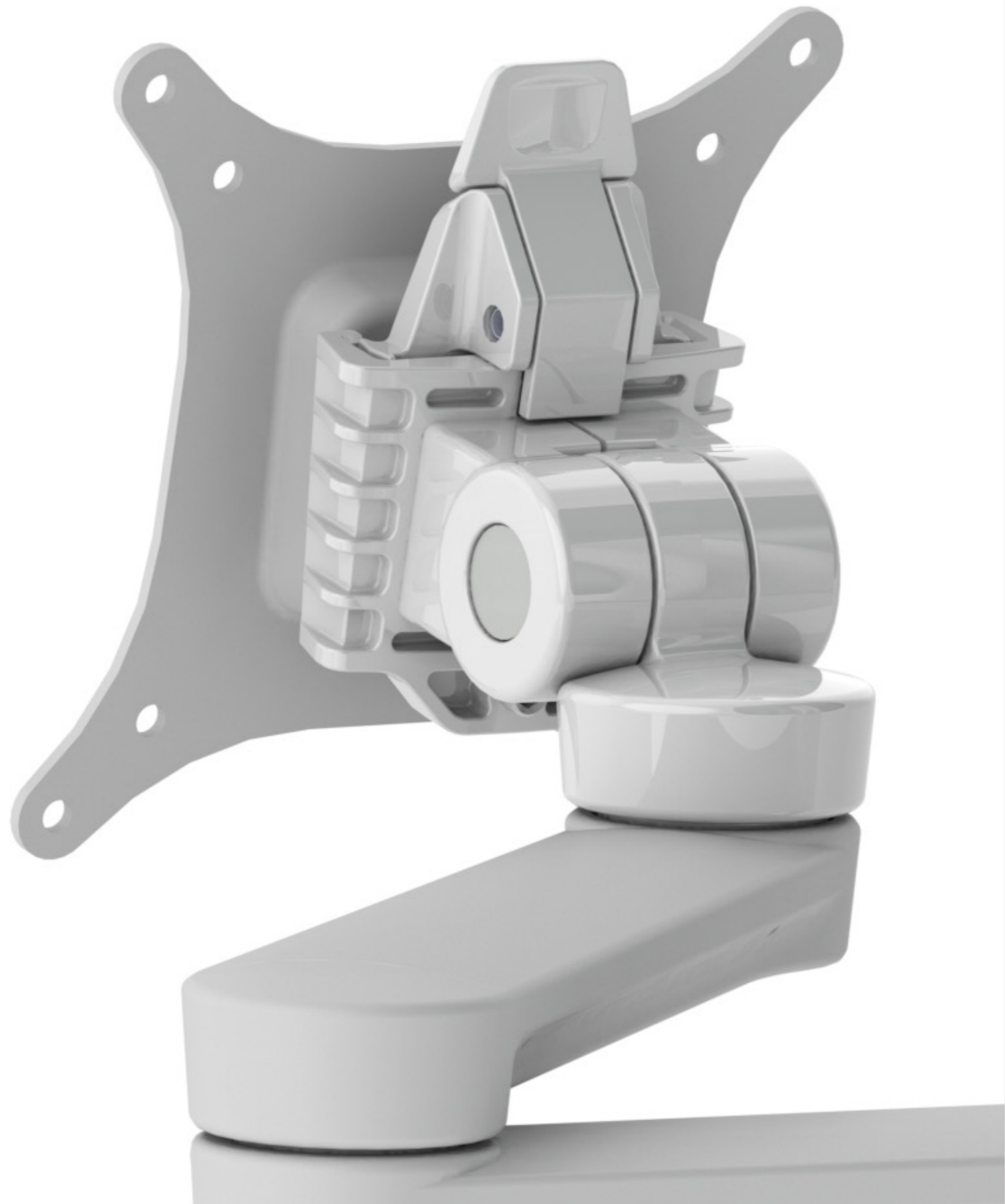


C:ME

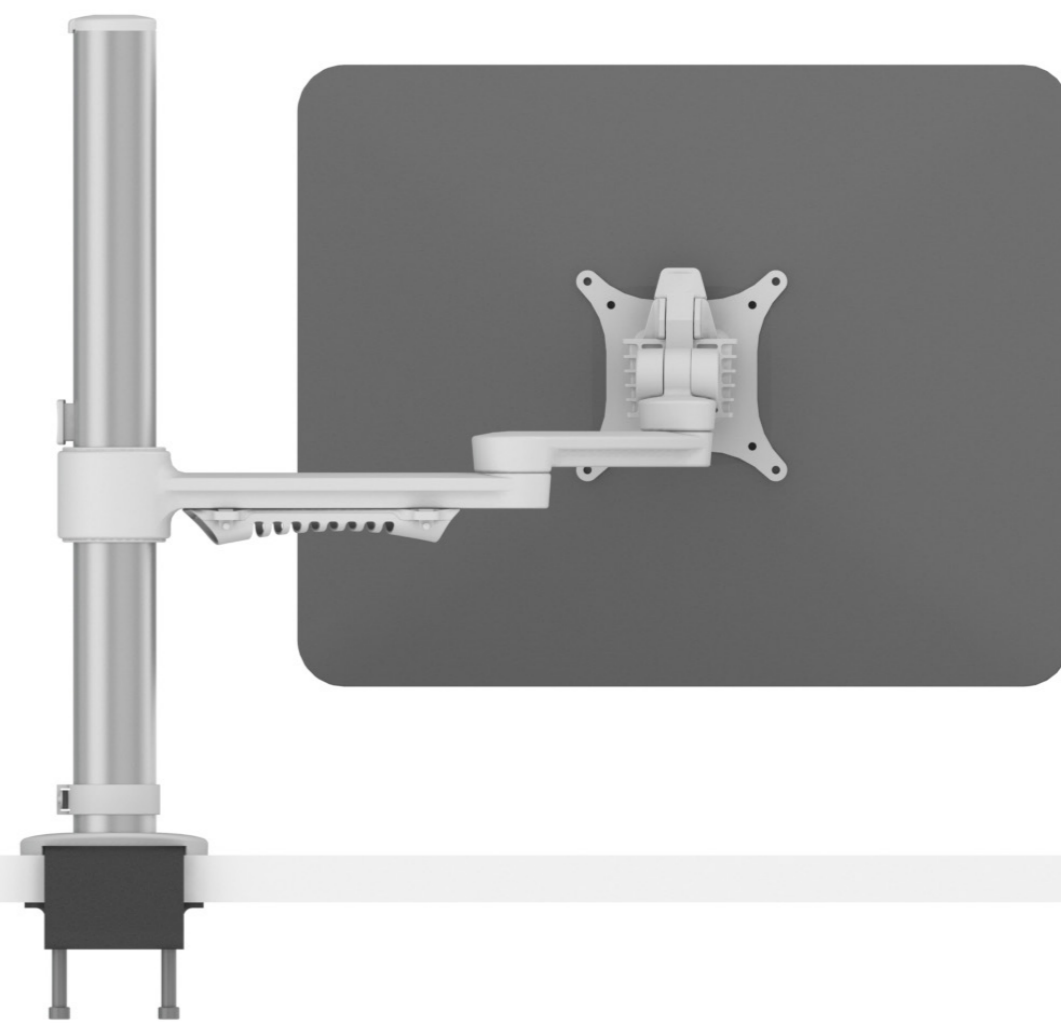
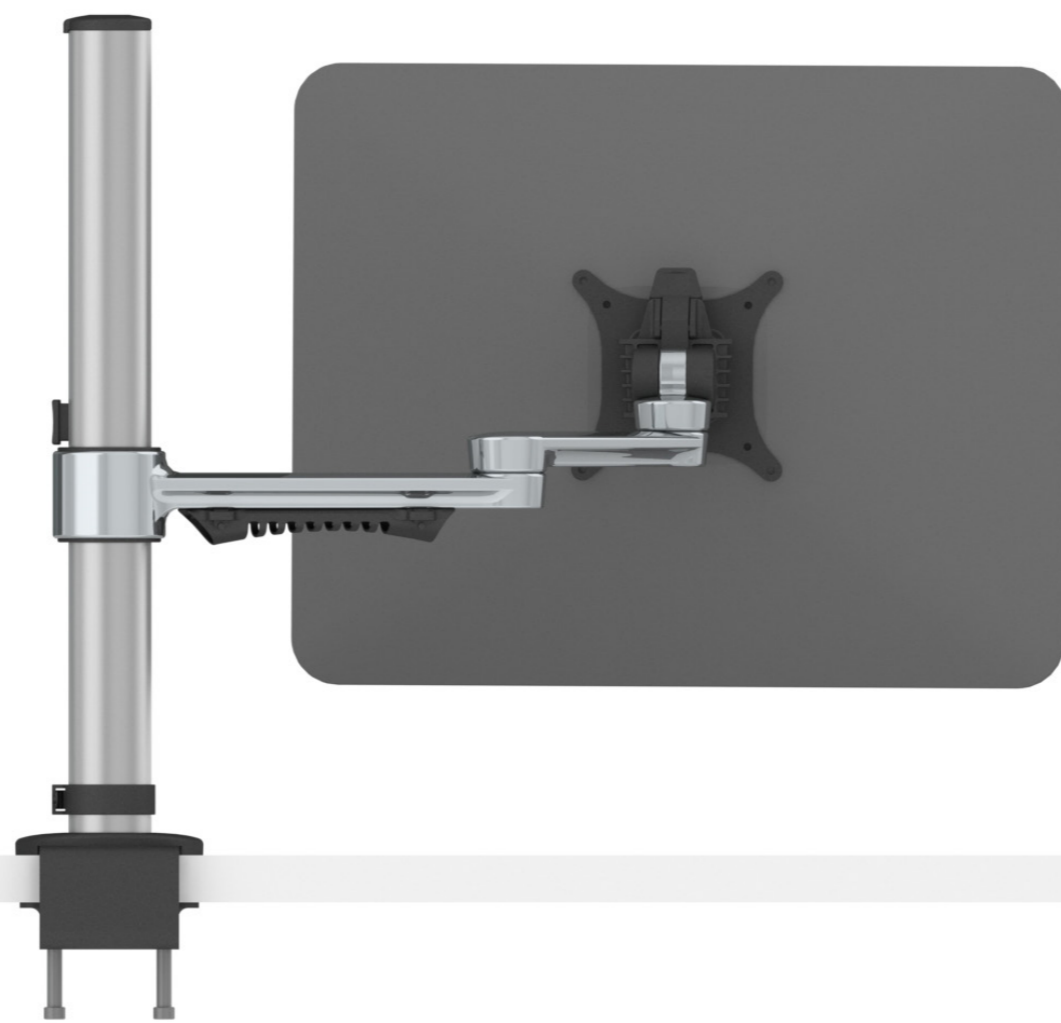
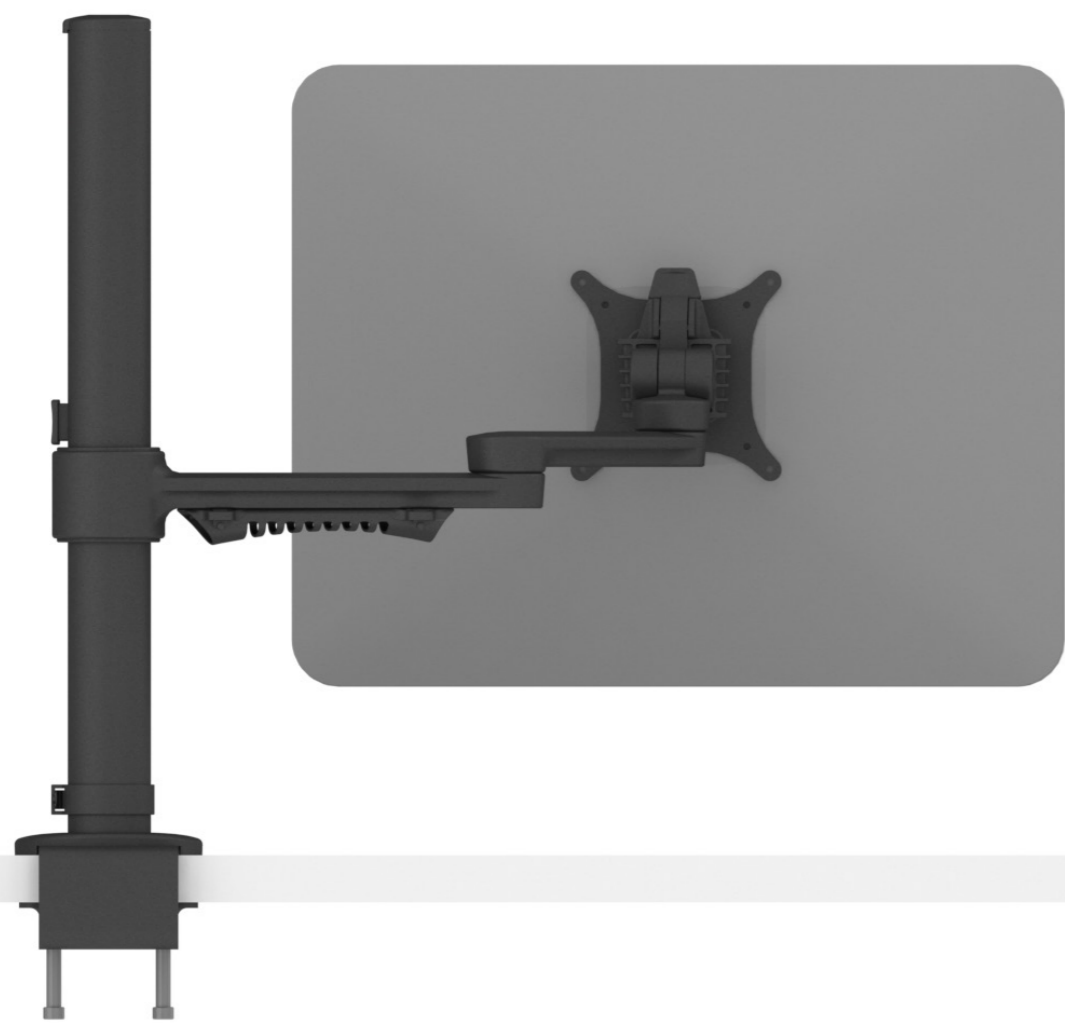
Furniture for the Curious



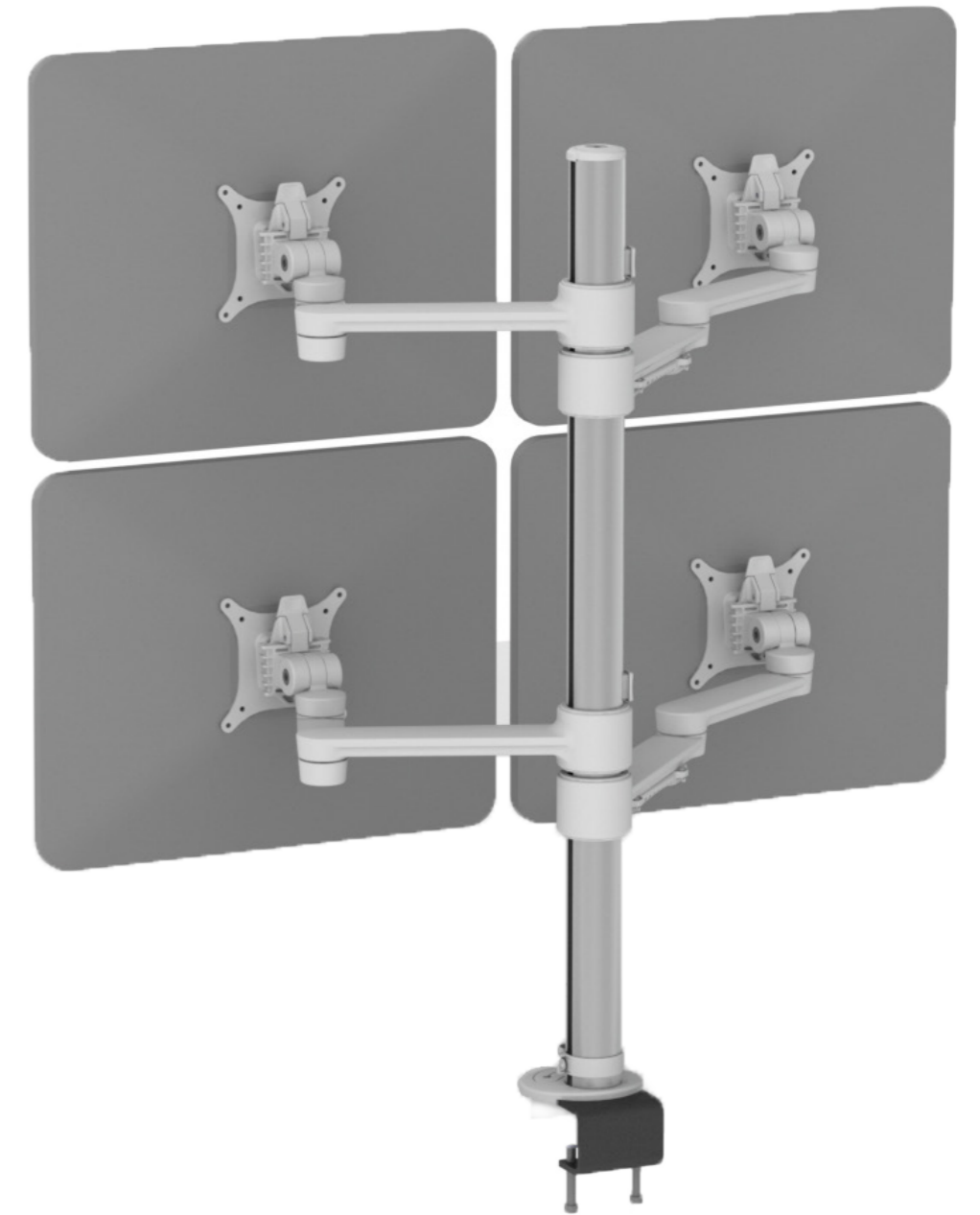
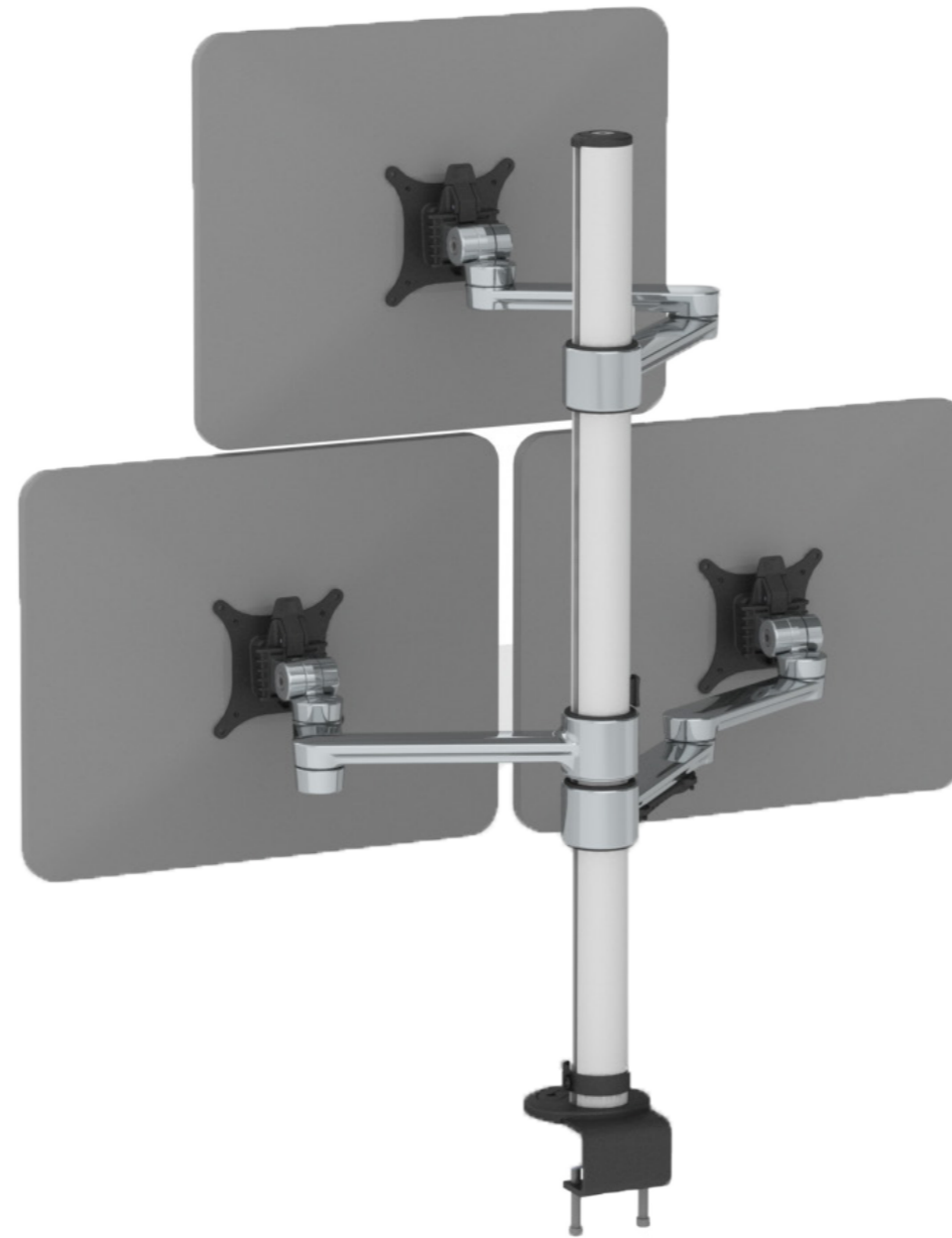
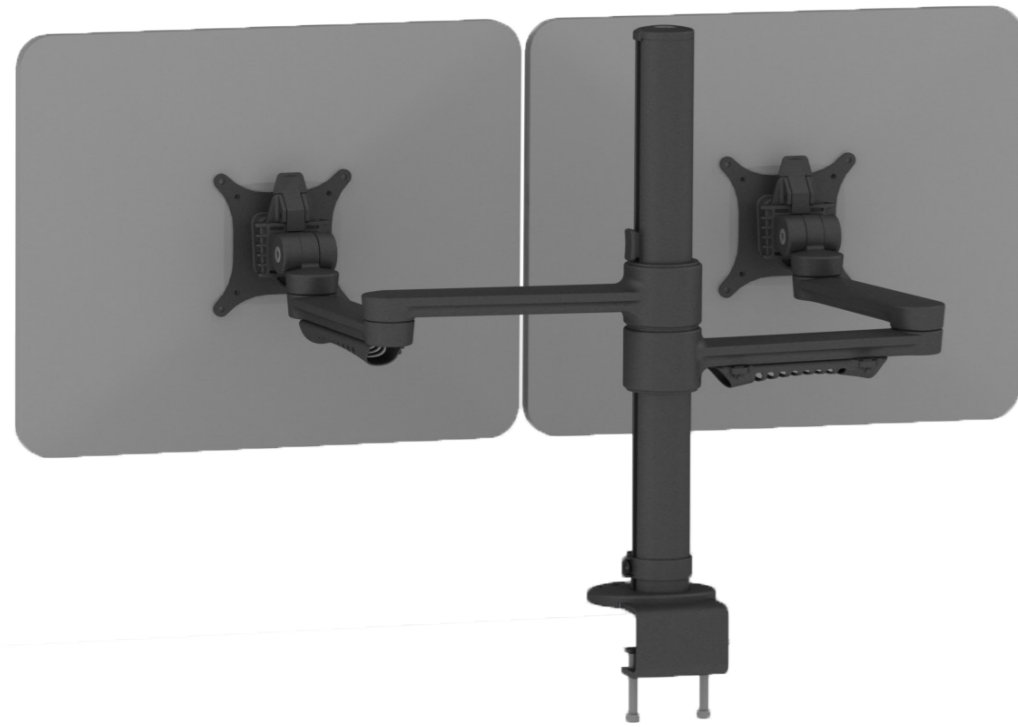
C.ME

Monitor Arm System.

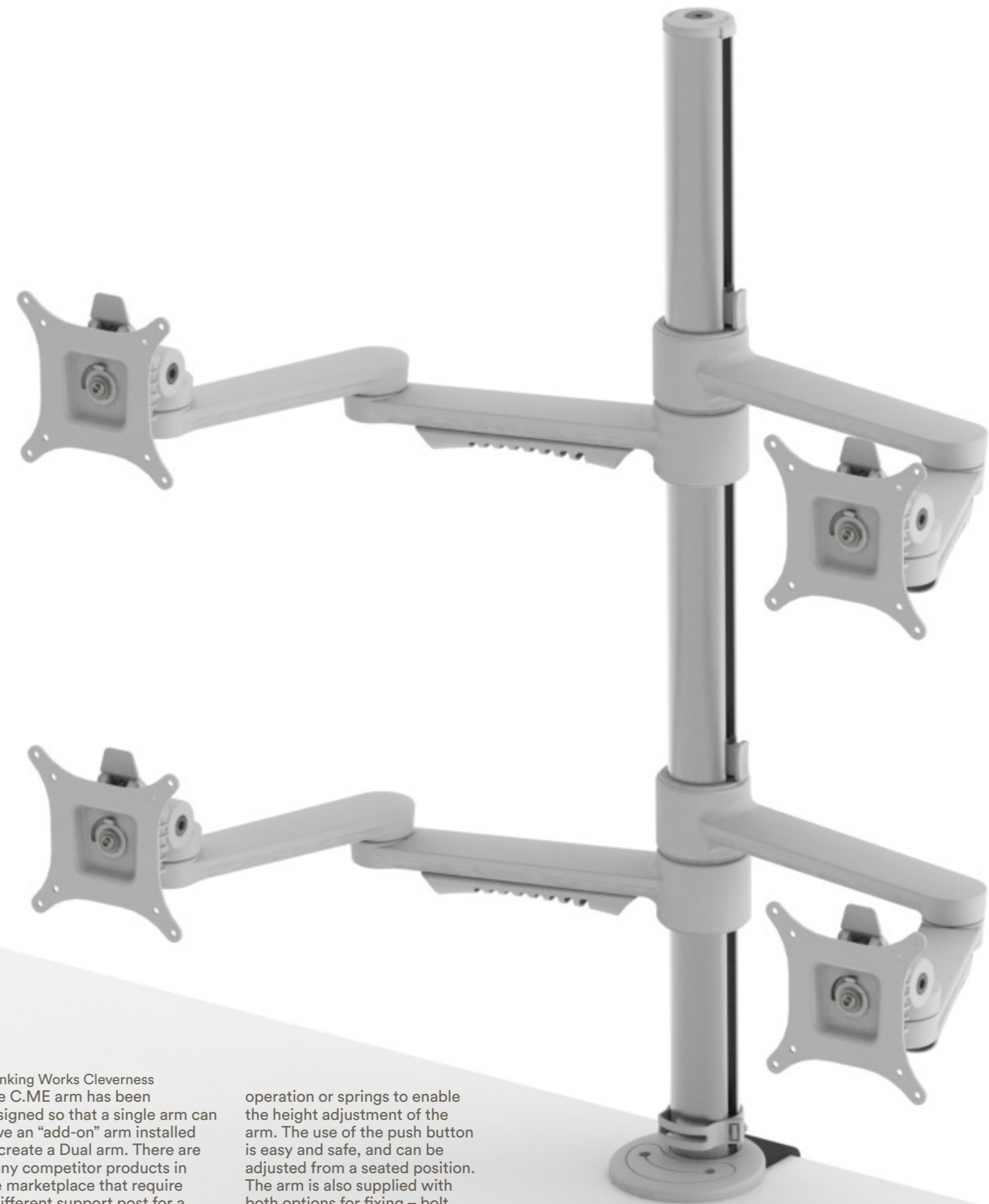
The C.ME Monitor Arm is made to the highest quality standards and combines a range of innovative features.



C.ME is a patented design by Thinking Works. The features include user friendly operation, simple clean lines, an environmental focus, and good looking aesthetic. Very easy to assemble and install. C Me is available as a single arm, dual arm, triple arm, or quad arm support. The three colour options – white, polished and black, work well with any workplace environment. C Me falls under the OTS range and is available with a 5 day leadtime in most cases in Australia. Large orders will incur a longer leadtime.



Easy and safe push-button mechanism allows the monitor to be adjusted from a seated position. Quick release with 90-degree portrait to landscape screen rotation and secure fastening option. Discreet, effective cable management. Bolt through or desk clamp mounting included as standard. Elegant, simple design appeal with 3 colour options to suit your work environment.



Thinking Works Cleverness
The C.ME arm has been designed so that a single arm can have an “add-on” arm installed to create a Dual arm. There are many competitor products in the marketplace that require a different support post for a double as compared to a single arm. Thinking Works clever design overcomes the waste that occurs when a single arm is no longer useful and is replaced with a double arm. The “push button” operation removes the need for a gas

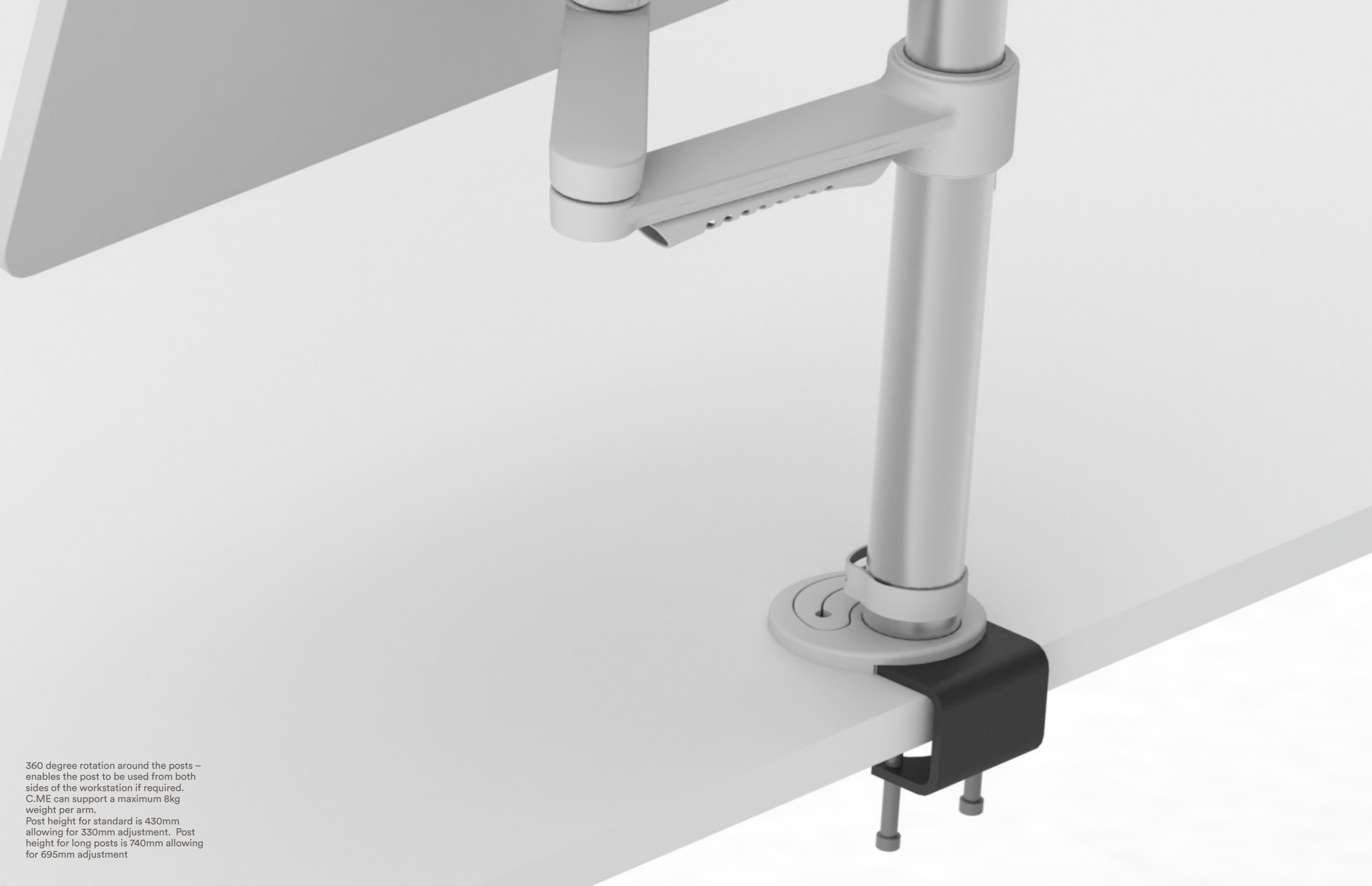
operation or springs to enable the height adjustment of the arm. The use of the push button is easy and safe, and can be adjusted from a seated position. The arm is also supplied with both options for fixing – bolt thru, or clamp. Allen keys and adjustment guides are provided with each arm. This enables the user to refer to instructions with a diagram indicating how to best position the C.ME monitor arm, with ergonomic guidelines detailed.

Accessories

C.ME is available with a laptop tray – available in white or black. Has a lip to prevent the laptop from slipping and rubber grips to hold it in place whilst supported on the tray.

Rotation Limiter Kit - this item can be retrofitted to the standard height post. The unit has been designed to prevent the arms from extending back past the 180 degree so that they will not make contact with a workstation screen. It has been designed to prevent damage to the screen and the arm when an electric operation takes place and interference occurs.





360 degree rotation around the posts – enables the post to be used from both sides of the workstation if required. C.ME can support a maximum 8kg weight per arm. Post height for standard is 430mm allowing for 330mm adjustment. Post height for long posts is 740mm allowing for 695mm adjustment



C.ME

Monitor Arm System.

The C.ME Monitor Arm is made to the highest quality standards and combines a range of innovative features.

Sustainability Policy

We realise the importance of responsible business practices and have in place numerous product and company sustainability certifications. We would encourage you to download our annual Sustainability Report from the Thinking Works website to get a full overview of our sustainability program.

Thinking Works

© Copyright 2018
All Rights Reserved

Head Office

25 Helles Avenue, Moorebank
New South Wales 2170, Australia

P: +61 (0)2 9726 7177
F: +61 (0)2 9726 7188

Sydney Showroom

120 Bourke Street, Woolloomooloo
New South Wales 2011, Australia

P: +61 (0)2 9002 0250
F: +61 (0)2 9726 7188
sales@thinkingw.com

Melbourne Showroom

53 Victoria Parade, Collingwood
Victoria 3066, Australia

P: +61 (0)3 8526 4460
sales@thinkingw.com

London Showroom

32 Clerkenwell Road
London, United Kingdom EC1M 5PS

P: +44 (0) 203 397 4878
F: +44 (0) 845 862 4201
uksales@thinkingw.com

New Zealand

Sold exclusively through FORZA LTD

P: +64 (0)9 921 3393
F: +64 (0)9 523 6801
info@forzald.co.nz

www.thinkingw.com

Furniture for the Curious