

PLN GROUP



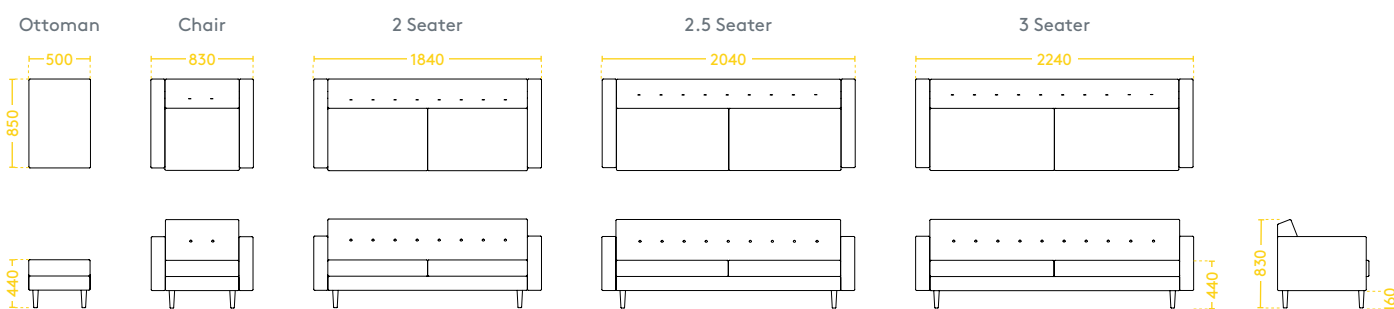
## CHESTER SOFA

Designed by GT Designs

# CHESTER SOFA

Designed by GT Designs

# PLN GROUP



## About

The Chester sofa is a contemporary, slim-line sofa with a nod to the retro aesthetic of the 1950s. Inspired by, and named after, the designer Garth Chester, who was considered by many to be New Zealand's Ray and Charles Eames.

## Dimensions &

## Fabric Meterage

|             |                     |      |
|-------------|---------------------|------|
| 2 Seater:   | 1840L x 830H x 850D | 7.1m |
| 2.5 Seater: | 2040L x 830H x 850D | 8m   |
| 3 Seater:   | 2240L x 830H x 850D | 8.5m |
| Chair:      | 830L x 830H x 850D  | 4.5m |
| Ottoman:    | 500L x 470H x 850D  | 3m   |

## Options

- Available in three sizes, a 2, 2.5, 3 seater, chair, ottoman and sofabed.
- Fully customizable. Available with or without arms, or as a corner unit.
- Tapered wooden legs in natural or dark stain.
- Available in a variety of fabrics.

## Features

- Fixed back with button detail.
- Luxury foam seat cushions.
- Superior construction, solid pine frame means greater durability and long life of sofa.
- 10 year warranty on the frame.
- 5 year warranty on workmanship and cushioning.

Designed and made in New Zealand.